



Item	CHARACTERISTICS	Unit	EWC-T-D-R-0630-2015
1	<b>Manufacturer</b>		<b>EWC</b>
2	<b>Rated power</b>	<b>kVA</b>	<b>630</b>
3	Rated frequency	Hz	50
4	Rated. MV wind. voltage	kV	11
5	Steps of regulation on the MV side off-load	%	± 2 x 2,5
6	Rated LV wind. Voltage No-load	kV	0,416
7	MV/LV wind. connections		Delta/star+N
8	Vector group		Dyn11
9	Max altitude on the sea level	m	1000
10	Min. ambient temperature	°C	-5
11	Max ambient temperature	°C	50
12	Average yearly ambient temperature	°C	30
13	Type of installation		Indoor
14	Type of cooling		AN / AF
15	Dielectric		Epoxi-resin
16	Construction standards		IEC 60076-11
17	Isolation class of MV windings	kV	12/28/75
18	Isolation class of LV windings	kV	1,1/3
19	Thermal class of isolement		F
20	Average temp rise of HV/MV windings	°C	90
21	Max temp magn. core	°C	90
22	No-load losses to Vn	W	<b>1650</b>
23	No-load current to Vn/110% Vn	%	<b>1.3</b>
24	Load-losses ref. To 75°C	W	<b>6800</b>
25	Impedance ref. To 75°C	%	<b>6</b>
26	Sound Power level	dBA	<b>73</b>
27	Efficiency		
	100% Pn cos φ= 1	%	<b>98.68</b>
	75% Pn cos φ= 1	%	<b>98.86</b>
	50% Pn cos φ= 1	%	<b>98.95</b>
28	Total weight	Kg	<b>1680</b>
29	Dimensions: in plant (LxP)	mm	<b>1420x800</b>
	Height (H)	mm	<b>1600</b>
	Interdistance of wheels (I)	mm	<b>670</b>

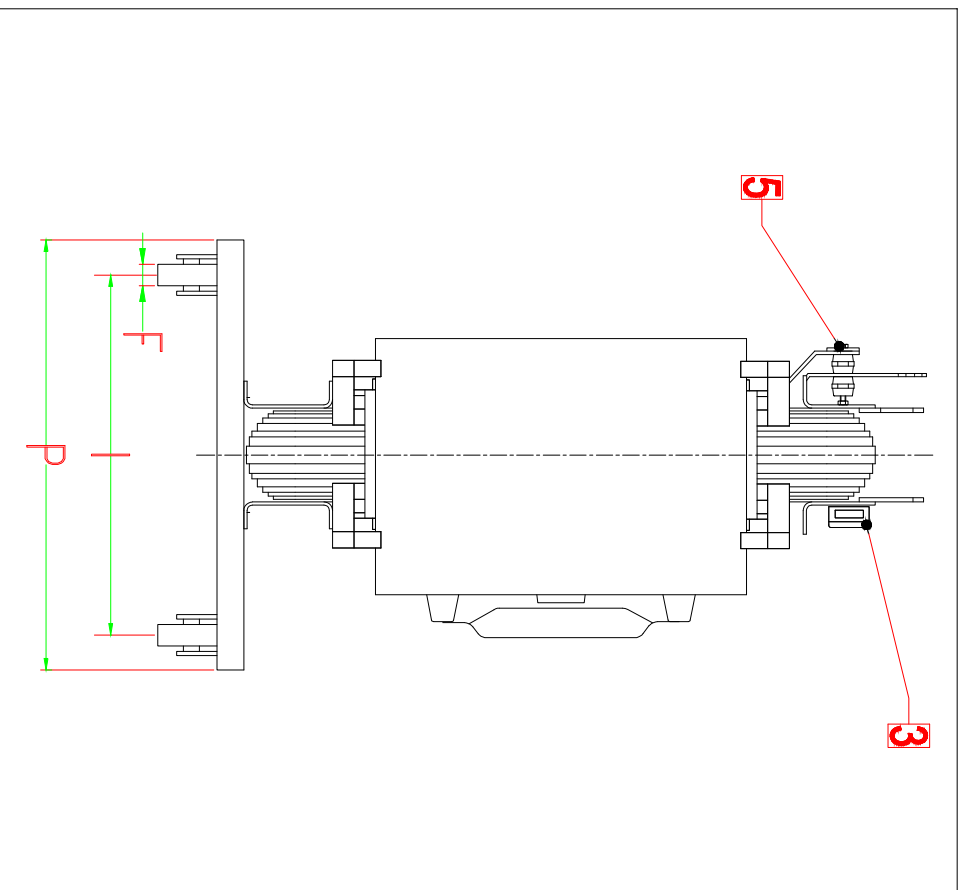
Fittings and Accessories:

- Dial electronic thermometer with two electric. n.o. contacts.
- n.3 thermal resistance tp.PT 100 with junction electrical box.

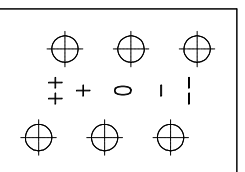
Other Accessories:

- On demand.





Pos. 7 - No Scala



Description / Descrizione	
Raffreddamento / Cooling	AN
Potenza / Power	630 kVA
Tensioni / Voltage	11/0,416 kV
Gruppo / Connection Sym	Dyn11
Frequenza / Frequency	50 Hz
Peso Totale / Total weight	1680

Pos.	Descrizione / Description	N°
1	Golfari di sollevamento / Lifting lugs	4
2	Terminale B.T. / Low voltage terminal	3
3	Scatola connessioni / Connection box	1
4	Targa caratteristiche / Rating plate	1
5	Terminale neutro / Neutral terminal	1
6	Terminale primario / High voltage terminal	3
7	Morsetteria variazione 1° / Variation clamp 1°	3
8	Attacchi per traino / Couplers	8
9	Morsetto di messa a terra / Earthing clamp	2
10	Carrello reversibile / Trolley for shifting	2

**ITM LBY**  
**EWC**

REVISIONE	DATA	EMISSIONE	T. AL-SALHI	T. AL-SALHI	T. AL-SALHI
REVISIONE	DATE	DESCRIPTION	ELABORATO	CONTROLLATO	APPROVATO
00					

EWC GROUP srl

CLIENTE	COMMESSA
TITOLO	FILE
Cedat resin Dia. Troat / Troat di Dist. in resina	
530 kVA - 11/0,416 kV	
DESCRIZIONE	Foglio
	2 di 2