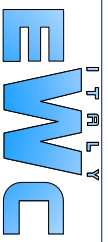
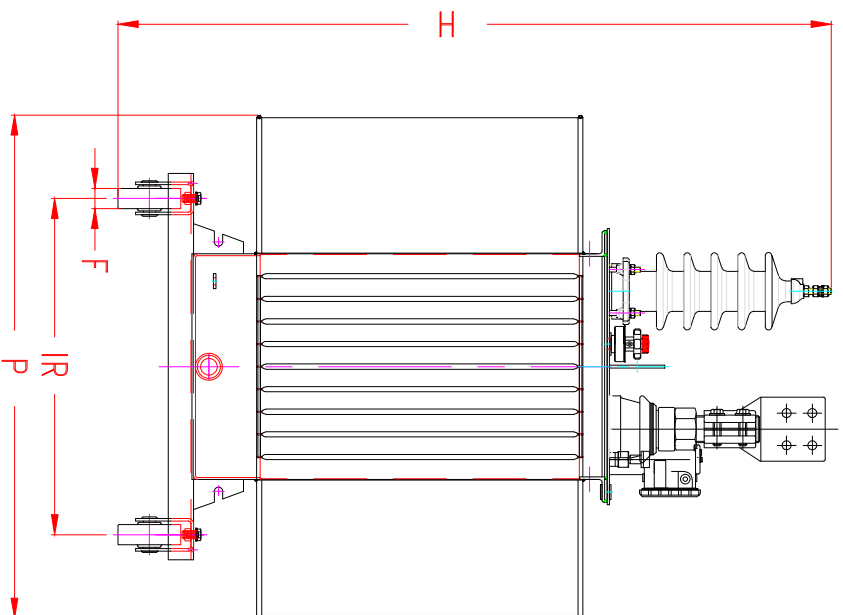
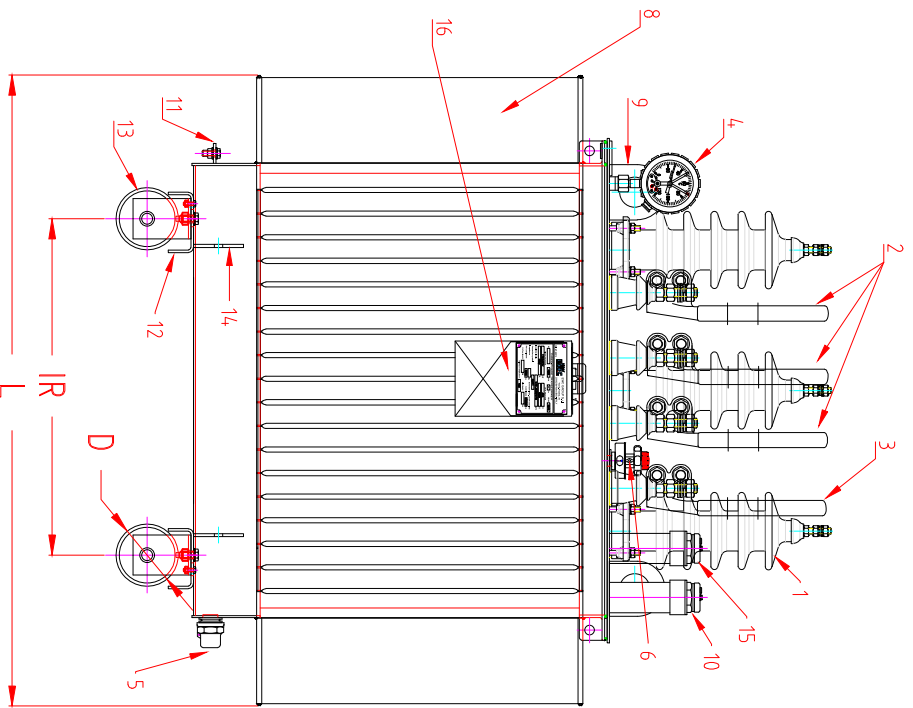




Item	CHARACTERISTICS	Unit	EWC-T-D-O-0100-2015
1	Manufacturer		EWC
2	Rated power ONAN	kVA	100
3	Rated frequency	Hz	50
4	Rated. MV wind. voltage	kV	11
5	Steps of regulation on the MV side off-load	%	± 2 x 2,5
6	Rated LV wind. Voltage No-load	kV	0,416
7	MV/LV wind. connections		Delta/star+N
8	Vector group		Dyn11
9	Max altitude on the sea level	m	1000
10	Min. ambient temperature	°C	-5
11	Max ambient temperature	°C	55
12	Average yearly ambient temperature	°C	30
13	Type of installation		outdoor
14	Type of cooling		ONAN
15	Dielectric oil		MINERAL
16	Construction standards		IEC 60076-IEC60354
17	Isolation class of MV windings	kV	12/28/75
18	Isolation class of LV windings	kV	1,1/3
18.1	Winding insulation		Uniform
19	Thermal class of isolement		A
20	Average temp rise of HV/MV windings	°C	50
21	Max temp rise of oil	°C	45
22	No-load losses to Vn	W	210
23	No-load current to Vn/110% Vn	%	2.2
24	Load-losses ref. To 75°C	W	1750
25	Impedance ref. To 75°C	%	4
26	Sound Power level	dBA	49
27	Efficiency		
	100% Pn cos φ= 1	%	98.04
	75% Pn cos φ= 1	%	98.41
	50% Pn cos φ= 1	%	98.71
28	Weight of magnetic core	Kg	245
29	Wind. weight	Kg	80
30	Dielectric oil weight	Kg	140
31	Total weight	Kg	600
32	Dimensions: in plant (LxP)	mm	1100x580
	Height (H)	mm	1180
	Interdistance of wheels (IR)	mm	Sked
33	Painting colour		RAL 7031

Fittings and Accessories:

- Terminal marking plate.
- Tapping switch.
- Valves 3 / 4 B.S.P fitted on cover and bottom of tank, switch cocks.
- Thermometer pocket with thermometer including max. temp. measurement indicator with two separate free contacts.
- Lifting lugs.
- Pressure relief valve.
- Earthling terminal on tank.
- Rating and diagram plate to be chromium plated of the engraved type with KVA rating and serial number engraved inside the transformer at a suitable place.
- Skid mounting to be vertical with the length of the transformer.
- Oil level indicator, to be of mechanical type located on the top cover of transformer to avoid oil leakage, covered by metallic Envelop.

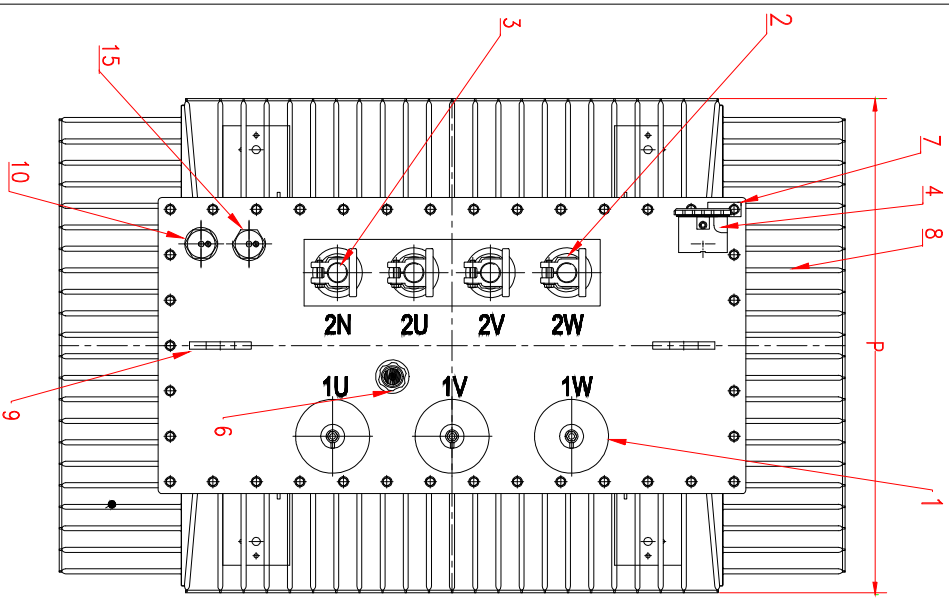


REGIONE	00	EMISSIONE	T. AL-SALHI	T. AL-SALHI	T. AL-SALHI
REVISIONI		DESCRIZIONE	ELABORATO	CONTROLLATO	APPROVATO
DATA		DESCRIZIONE	MODIFICATO	REVISIONE	APPROVATO
DATA					

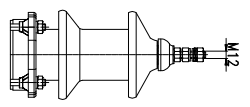
CLIENTE
EWC GROUP srl

TITOLO	Distribution	COMMESSA
TRANSFORMER /	0000 KVA - 11/0,415KV	FILE
TRANSFORMAZIONE DI DISTRIBUZIONE		FILE
		FILE
DESIGN	FOGLIO	DI
1	1	2

A TORNAI DI LEGGE O' RESERVAVVA LA PROPRIETA' IN QUESTO DISEGNO CON DIRITTO DI REIPRODURRE O DI RENDERE COMUNE TUTTO A TITOLO O A TITOLE CONCORRENTI SENZA NESSUNA AUTORIZZAZIONE. CONFORME ALLE CONDIZIONI DI VENDITA E DI UTILIZZO DEL DISEGNO, IL DISEGNO E' CONSIDERATO "DISEGNO DI PRODOTTO" E NON "DISEGNO DI PRODOTTO".



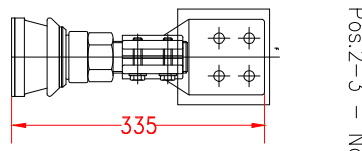
Pos.1 — No scdia



M.T. Isolatore passante
in porcellana 12kV/250A

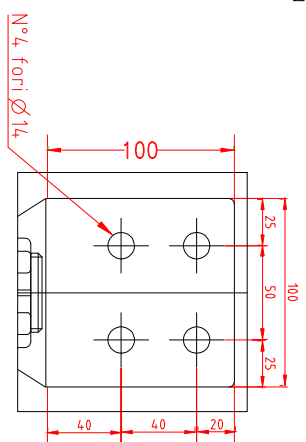
H.V. Bushing Insulating
in porcelain 12kV/250A

Pos.2-3 — No scdia



Isolatore BT passante in
porcellana 1kV/2000A

LV Bushing insulating
in porcelain 1kV/2000A



Description / Descrizione	ONAN
Raffreddamento / Cooling	ONAN
Potenza / Power	0000 KVA
Tensioni / Voltage	11/0.4/16 kV
Gruppo / Connection Sym.	Dyn11
Frequenza / Frequency	50 Hz
Peso Olio / Oil weight	
Peso Totale / Total weight	

Pos.	Description / Description	N°
1	Isolatori M.T. 1U 1V 1W / H.V. Bushing 1U 1V 1W	3
2	Isolatori B.T. 2U 2V 2W / L.V. Bushing 2U 2V 2W	3
3	Isolatore Neutro 2N / Neutral Bushing 2N	1
4	Termometro Olio / Oil Thermometer	1
5	Valvola di scarico olio / Oil drain valve	1
6	Manopola commutatore / Tap changer knob	1
7	Piastrina per matricola / Platelet for matricolation	1
8	Pannello radiante / Radiator panels	4
9	Golfari di sollevamento / Lifting lugs	2
10	Valvola di sovrappressione / Over pressure valve	1
11	Morsetto di messa a terra / Earthing clamp	2
12	Base di appoggio / Base cart	2
13	Ruote orientabili / Wheels orientable	4
14	Ganci di trarre / Towing hooks	4
15	Indicatore di livello olio / Oil level gauge	1
16	Targa caratteristiche / Rating plate	1



REVISIONE	DATA	EMMISSIONE	ELABORATO	CONTROLLATO	APPROVATO
00			T. AL-SALHI	T. AL-SALHI	T. AL-SALHI

EWC GROUP SRI

CLIENTE	COMMESSA
DISTRIBUTION	0000
TITOLO	0000 KVA - 11/0.4/16KV
DISEGNO	FOGLIO
2	2