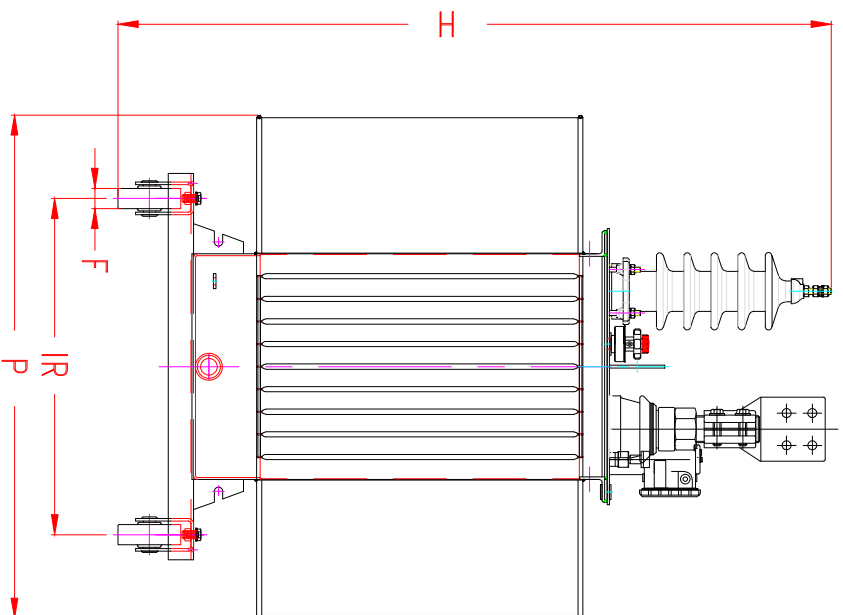
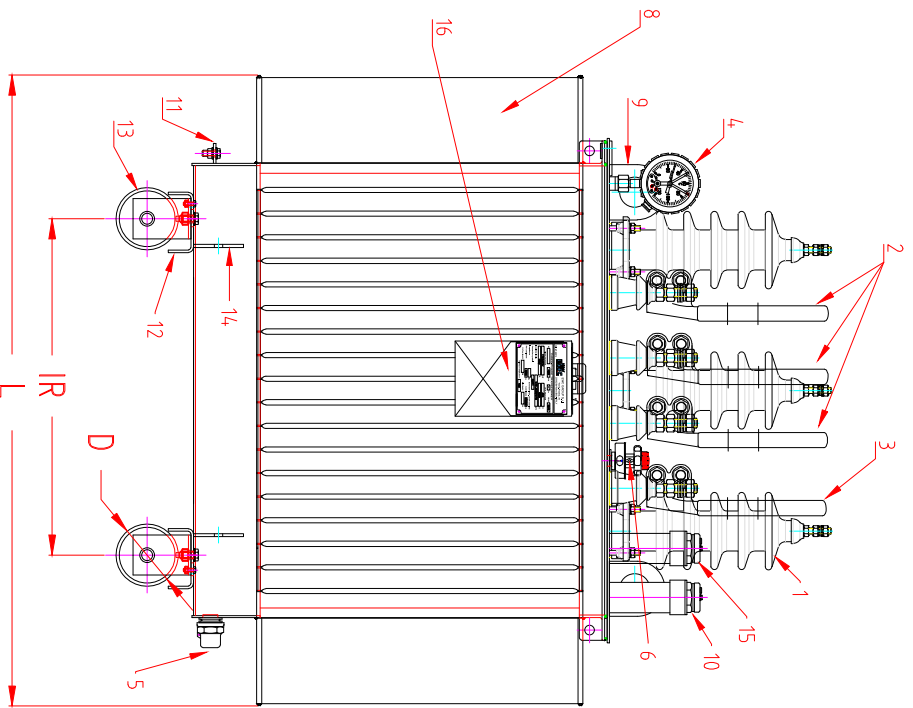




Item	CHARACTERISTICS	Unit	EWC-T-D-O-0250-2015
1	Manufacturer		EWC
2	Rated power ONAN	kVA	250
3	Rated frequency	Hz	50
4	Rated. MV wind. voltage	kV	11
5	Steps of regulation on the MV side off-load	%	± 2 x 2,5
6	Rated LV wind. Voltage No-load	kV	0,416
7	MV/LV wind. connections		Delta/star+N
8	Vector group		Dyn11
9	Max altitude on the sea level	m	1000
10	Min. ambient temperature	°C	-5
11	Max ambient temperature	°C	55
12	Average yearly ambient temperature	°C	30
13	Type of installation		outdoor
14	Type of cooling		ONAN
15	Dielectric oil		MINERAL
16	Construction standards		IEC 60076-IEC60354
17	Isolation class of MV windings	kV	12/28/75
18	Isolation class of LV windings	kV	1,1/3
18.1	Winding insulation		Uniform
19	Thermal class of isolement		A
20	Average temp rise of HV/MV windings	°C	50
21	Max temp rise of oil	°C	45
22	No-load losses to Vn	W	400
23	No-load current to Vn/110% Vn	%	1.8
24	Load-losses ref. To 75°C	W	3400
25	Impedance ref. To 75°C	%	4
26	Sound Power level	dBA	55
27	Efficiency		
	100% Pn cos φ= 1	%	98.48
	75% Pn cos φ= 1	%	98.77
	50% Pn cos φ= 1	%	99.00
28	Weight of magnetic core	Kg	350
29	Wind. weight	Kg	175
30	Dielectric oil weight	Kg	230
31	Total weight	Kg	1200
32	Dimensions: in plant (LxP)	mm	1200x700
	Height (H)	mm	1300
	Interdistance of wheels (IR)	mm	520
33	Painting colour		RAL 7031

Fittings and Accessories:

- Terminal marking plate.
- Tapping switch.
- Valves 3 / 4 B.S.P fitted on cover and bottom of tank, switch cocks.
- Thermometer pocket with thermometer including max. temp. measurement indicator with two separate free contacts.
- Lifting lugs.
- Pressure relief valve.
- Earthling terminal on tank.
- Rating and diagram plate to be chromium plated of the engraved type with KVA rating and serial number engraved inside the transformer at a suitable place.
- Skid mounting to be vertical with the length of the transformer.
- Oil level indicator, to be of mechanical type located on the top cover of transformer to avoid oil leakage, covered by metallic Envelop.



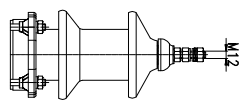
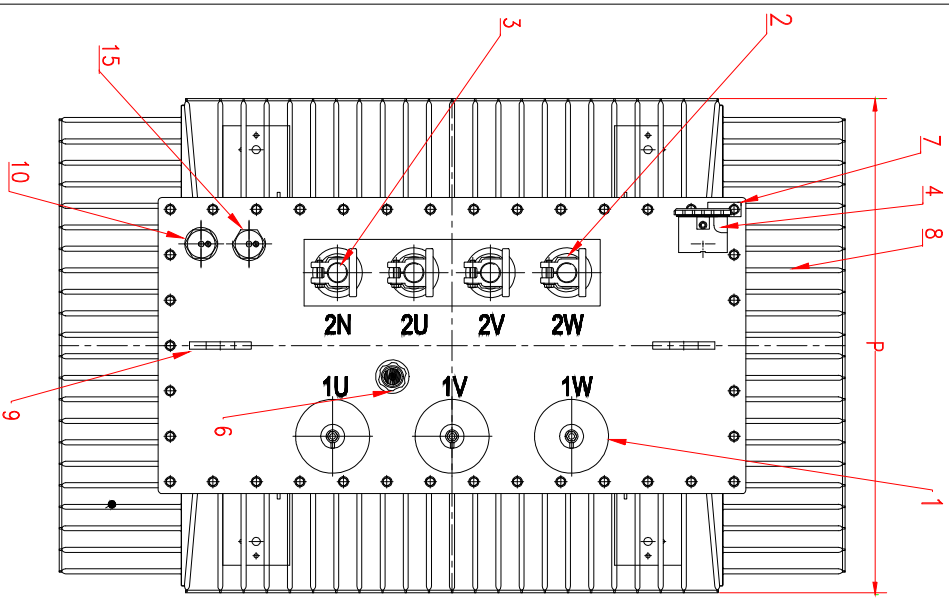
ETRY
EMWC

REGIONE	00	EMISSIONE	T. AL-SALHI	T. AL-SALHI	T. AL-SALHI
REGIONE		DESCRIZIONE	ELABORATO	CONTROLLATO	APPROVATO
DATA		DESCRIZIONE	MODIFICATO	REVISIONE	APPROVATO

EWG GROUP srl

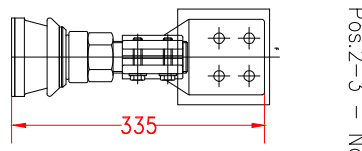
CLIENTE	COMMESSA
TITOLO	FILE
Distribution	FILE
0000 KVA - 11/0,415kV	FILE
Transformere / Transformatore di distribuzione	FILE
DESIGN	FOGLIO
1	DI 2

A TORNAI BY LEGGE O' RESERVAVIA LA PROPRIETA' IN TUTTO IL DISEGNO SENZA CHE SIA NECESSARIO IL CONSENTO DEL TITOLARE O' DEL CONCESSIONARIO SENZA NESSUNA AUTORIZZAZIONE. CONFERMA O' FINE ACCORDATA. ASSISTENZA O' TO TORNAI BY LEGGE O' RESERVAVIA LA PROPRIETA' IN TUTTO IL DISEGNO SENZA CHE SIA NECESSARIO IL CONSENTO DEL TITOLARE O' DEL CONCESSIONARIO SENZA NESSUNA AUTORIZZAZIONE.



Pos.1 — No scdia
 M.T. Isolatore passante
 in porcellana 12kV/250A

 H.V. Bushing Insulating
 in porcelain 12kV/250A

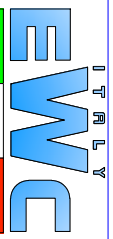


Pos.2-3 — No scdia
 Isolatore BT passante in
 porcellana 1kV/2000A

 LV Bushing insulating
 in porcelain 1kV/2000A

Description / Descrizione	ONAN
Raffreddamento / Cooling	ONAN
Potenza / Power	0000 KVA
Tensioni / Voltage	11/0.4/16 kV
Gruppo / Connection Sym.	Dyn11
Frequenza / Frequency	50 Hz
Peso Olio / Oil weight	
Peso Totale / Total weight	

Pos.	Description / Description	N°
1	Isolatori M.T. 1U 1V 1W / H.V. Bushing 1U 1V 1W	3
2	Isolatori B.T. 2U 2V 2W / L.V. Bushing 2U 2V 2W	3
3	Isolatore Neutro 2N / Neutral Bushing 2N	1
4	Termometro Olio / Oil Thermometer	1
5	Valvola di scarico olio / Oil drain valve	1
6	Manopola commutatore / Tap changer knob	1
7	Piastina per matricola / Platelet for matricolation	1
8	Pannello radiante / Radiator panels	4
9	Golfari di sollevamento / Lifting lugs	2
10	Valvola di sovrappressione / Over pressure valve	1
11	Morsetto di messa a terra / Earthing clamp	2
12	Base di appoggio / Base cart	2
13	Ruote orientabili / Wheels orientable	4
14	Ganci di fraino / Towing hooks	4
15	Indicatore di livello olio / Oil level gauge	1
16	Targa caratteristiche / Rating plate	1



REVISIONE 00	DESCRIZIONE DESCRIZIONE	T. AL-SALHI T. AL-SALHI	ELABORATO APPROVATO	COMPROVATO COMPROVATO	T. AL-SALHI T. AL-SALHI
DATA	EMMISSIONE				

EWC GROUP SRI

CLIENTE DISTRIBUTORE	TITOLO DISTRIBUZIONE	COMMESSA LAVORO
Distribution Transformer / Trasformatore di distribuzione	0000 KVA - 11/0.4/16kV	
FILE	DESIGNO	FOGLIO
		2 of 2